

NOS knockout or inhibition but not disrupting PSD-95-NOS interaction protect against ischemic brain damage

Citation for published version (APA):

Kleinschnitz, C., Mencl, S., Kleikers, P. W. M., Schuhmann, M. K., Lopez, M. G., Casas, A. I., Surun, B., Reif, A., & Schmidt, H. H. H. W. (2016). NOS knockout or inhibition but not disrupting PSD-95-NOS interaction protect against ischemic brain damage. *Journal of Cerebral Blood Flow and Metabolism*, 36(9), 1508-1512. <https://doi.org/10.1177/0271678X16657094>

Document status and date:

Published: 01/09/2016

DOI:

[10.1177/0271678X16657094](https://doi.org/10.1177/0271678X16657094)

Document Version:

Publisher's PDF, also known as Version of record

Document license:

Taverne

Please check the document version of this publication:

- A submitted manuscript is the version of the article upon submission and before peer-review. There can be important differences between the submitted version and the official published version of record. People interested in the research are advised to contact the author for the final version of the publication, or visit the DOI to the publisher's website.
- The final author version and the galley proof are versions of the publication after peer review.
- The final published version features the final layout of the paper including the volume, issue and page numbers.

[Link to publication](#)

General rights

Copyright and moral rights for the publications made accessible in the public portal are retained by the authors and/or other copyright owners and it is a condition of accessing publications that users recognise and abide by the legal requirements associated with these rights.

- Users may download and print one copy of any publication from the public portal for the purpose of private study or research.
- You may not further distribute the material or use it for any profit-making activity or commercial gain
- You may freely distribute the URL identifying the publication in the public portal.

If the publication is distributed under the terms of Article 25fa of the Dutch Copyright Act, indicated by the "Taverne" license above, please follow below link for the End User Agreement:

www.umlib.nl/taverne-license

Take down policy

If you believe that this document breaches copyright please contact us at:

repository@maastrichtuniversity.nl

providing details and we will investigate your claim.

NOS knockout or inhibition but not disrupting PSD-95-NOS interaction protect against ischemic brain damage

Christoph Kleinschnitz^{1,2}, Stine Mencl^{1,2},
Pamela WM Kleikers³, Michael K Schuhmann¹,
Manuela G López⁴, Ana I Casas^{3,4}, Bilge Sürün⁵, Andreas Reif⁶
and Harald HHW Schmidt³

Abstract

Promising results have been reported in preclinical stroke target validation for pharmacological principles that disrupt the N-methyl-D-aspartate receptor–post-synaptic density protein-95–neuronal nitric oxide synthase complex. However, post-synaptic density protein-95 is also coupled to potentially neuroprotective mechanisms. As post-synaptic density protein-95 inhibitors may interfere with potentially neuroprotective mechanisms and sufficient validation has often been an issue in translating basic stroke research, we wanted to close that gap by comparing post-synaptic density protein-95 inhibitors with *NOS1*^{−/−} mice and a NOS inhibitor. We confirm the deleterious role of *NOS1* in stroke both *in vivo* and *in vitro*, but find three pharmacological post-synaptic density protein-95 inhibitors to be therapeutically ineffective.

Keywords

Nitric oxide, stroke, excitotoxicity, experimental, free radicals

Received 22 February 2016; Revised 10 May 2016; Accepted 12 May 2016

Introduction

Preclinical research has a high failure rate when it comes to clinical translation.^{1,2} In stroke, the third most frequent cause of death and main cause of disability, the situation is particularly desperate. Only a single drug, rt-PA, is approved, and the majority of stroke patients do not even qualify for receiving rt-PA due to numerous contraindications. With this high medical need, pharmacological inhibition of cytotoxic radical formation³ such as nitric oxide (NO) holds considerable promise. Neuronal NO synthase (*NOS1*) binds to and is regulated by the N-methyl-D-aspartate receptor (NMDAR) via the post-synaptic density protein-95 (PSD-95, Figure 1).⁴ Promising animal studies have suggested a feasible therapeutic approach by blocking the NMDAR-PSD-95-*NOS1* interactions.^{4–8} As a major advantage in comparison with direct inhibitors of the NMDAR, which have failed clinically, the PSD-95 blocking peptide Tat-NR2B9c, its dimeric form Tat-N-dimer, or the small molecule ZL006 should specifically suppress NO-mediated neurotoxicity⁴

whilst leaving other vital NMDAR functions intact. These novel substances have been reported to strongly lower the stroke infarct volume (up to mean cortical

¹Department of Neurology, University Hospital Würzburg, Würzburg, Germany

²Department of Neurology, University Hospital Essen, Essen, Germany

³Department for Pharmacology and Personalised Medicine, CARIM, Faculty of Health, Medicine & Life Science, Maastricht University, Maastricht, The Netherlands

⁴Departamento de Farmacología, Facultad de Medicina, Universidad Autónoma de Madrid, Madrid, Spain

⁵Department of Medical Informatics, Informatics Institute, Middle East Technical University, Ankara, Turkey

⁶Department of Psychiatry, Psychosomatic Medicine and Psychotherapy, University Hospital Frankfurt, Frankfurt am Main, Germany

Corresponding authors:

Christoph Kleinschnitz, Department of Neurology, University Hospital Essen, Hufelandstrasse, 55, 45147 Essen, Germany.

Email: christoph.kleinschnitz@uk-essen.de

Harald Schmidt, Department for Pharmacology and Personalised Medicine, CARIM, Faculty of Health, Medicine & Life Science, Maastricht University, P.O. Box 616, 6200 MD Maastricht, Netherlands.

Email: h.schmidt@maastrichtuniversity.nl

infarct volume 87.0 (4.4 SE))⁶ and improve functional outcome after ischemic stroke when compared to control groups in rodents and non-human primates.^{6–12}

Based on these reports, PSD-95i have entered into clinical development for multiple indications such as acute ischemic stroke and subarachnoid hemorrhage (www.nonoinc.ca) including a phase 2 human trial using Tat-NR2B9c in patients with procedurally induced brain ischemia.¹⁴ However, mechanistically PSD-95 is also coupled to potentially neuroprotective mechanisms, such as soluble guanylate cyclase (sGC) and cGMP signaling.¹⁵ We therefore wanted to cross-validate PSD-95i with *Nos1*^{-/-} mice and a NOS inhibitor.

Methods

Animal experiments

All animal experiments were conducted in accordance with the *Guide for the Care and Use of Laboratory Animals*, the local institutional guidelines for the use of experimental animals of the University of Würzburg (Germany) approved by the local governmental authorities Regierung von Unterfranken (Würzburg, Germany), the institutional Ethics Committee of the Universidad Autónoma de Madrid (Spain), the European Guidelines for the use and care of animals for research, the European Communities Council Directive of 24 November 1986 (86/609/EEC), the Spanish Real Decreto of 10 October 2005 (RD 1201/2005), and followed the ARRIVE guidelines (<http://www.nc3rs.org.uk/arrive-guidelines>). Cerebral ischemia was induced by 60 min of transient middle cerebral artery occlusion (tMCAO) in mice and 90 min tMCAO in rats. Neurological deficits in the mice and the rats were scored according to Bederson and with the grip test at indicated time points. A more detailed description of the animal experiments and the exclusion criteria are provided in the Supplementary methods.

Compounds

Tat-NR2B9c monomer and Tat-N-dimer were obtained from Peps 4LS GmbH. ZL006 and the NOS inhibitor, N^ω-Nitro-L-arginine methyl ester hydrochloride (L-NAME), were purchased from Sigma-Aldrich Chemie GmbH.

Immunohistochemistry

Cryo-embedded brain slices were stained overnight with an antibody against HIV1 tat (abcam, ab63957, 1:200) and a fluorescent Hoechst dye (Sigma-Aldrich,

33342, 1:500). Hippocampal neuronal cell cultures were co-labelled with an antibody against cleaved caspase-3 (Cell Signaling, #9661, 1:400) and NeuN (Merck Millipore, MAB377, 1:100)

Oxygen–glucose deprivation of murine neuronal cell cultures and rat hippocampal slices and quantification of viability

Neuronal cell cultures were obtained from C57BL/6 mice embryos (E18) and Tat-NR2B9c or vehicle was added to the cell cultures 1 h prior to the induction of oxygen–glucose deprivation (OGD). Cell viability was assessed by an antibody against activated caspase-3 as described above. *In vitro* damage caused by OGD followed by re-oxygenation (OGD/Reox) and the protection elicited by L-NAME was studied in acutely isolated rat hippocampal slices. Hippocampal cell viability was determined through the ability of the cells to reduce MTT.

A more detailed method description and the statistical analysis are provided in the supplementary files.

Results and discussion

We could confirm the role of NOS1 in rodent (rat and mice) stroke models both *in vivo* (Figure 1(c) and Supplementary Figure 1(c)) and *in vitro* (Figure 1(c)). Conversely, in our hands, three different and structurally unrelated pharmacological PSD-95i were completely ineffective both *in vivo* and *in vitro* (Figure 1(b)). Treatment of young (8–10 weeks old) and middle aged (55 weeks old) male C57BL/6 mice with Tat-NR2B9c monomer (NR2B; 3 nmol/g, i.v. or), Tat-N-dimer (Dimer) with higher affinity (3 nmol/g, i.v.) or the small molecule inhibitor ZL006 (1.5 mg/kg, i.v.) at reperfusion after 60 min of tMCAO using the filament technique neither altered stroke volumes nor neurological deficits between 6 and 72 h post-stroke (Figure 1(b) and Supplementary Figure 2) when compared with control animals. Even a high dose of NR2B (10 nmol/g), which recently has been reported to protect mice from acute ischemic stroke,¹² was ineffective in our hands (Supplementary Figure 1(a)). Blocking of PSD-95 also had no effect in female mice subjected to tMCAO or in a mouse model of permanent stroke (Supplementary Figure 2). Moreover, NR2B failed to ameliorate ischemic brain damage in a second species, i.e. rat (Supplementary Figure 1(b)). Immunohistochemistry revealed that Tat-NR2B readily crossed the blood–brain-barrier (Supplementary Figure 3).¹¹ In line with our *in vivo* results, NR2B did not prevent cell death *in vitro* in hippocampal primary neuronal cell cultures under conditions of glucose and oxygen deprivation (Figure 1(b)), while NOS inhibition with L-NAME

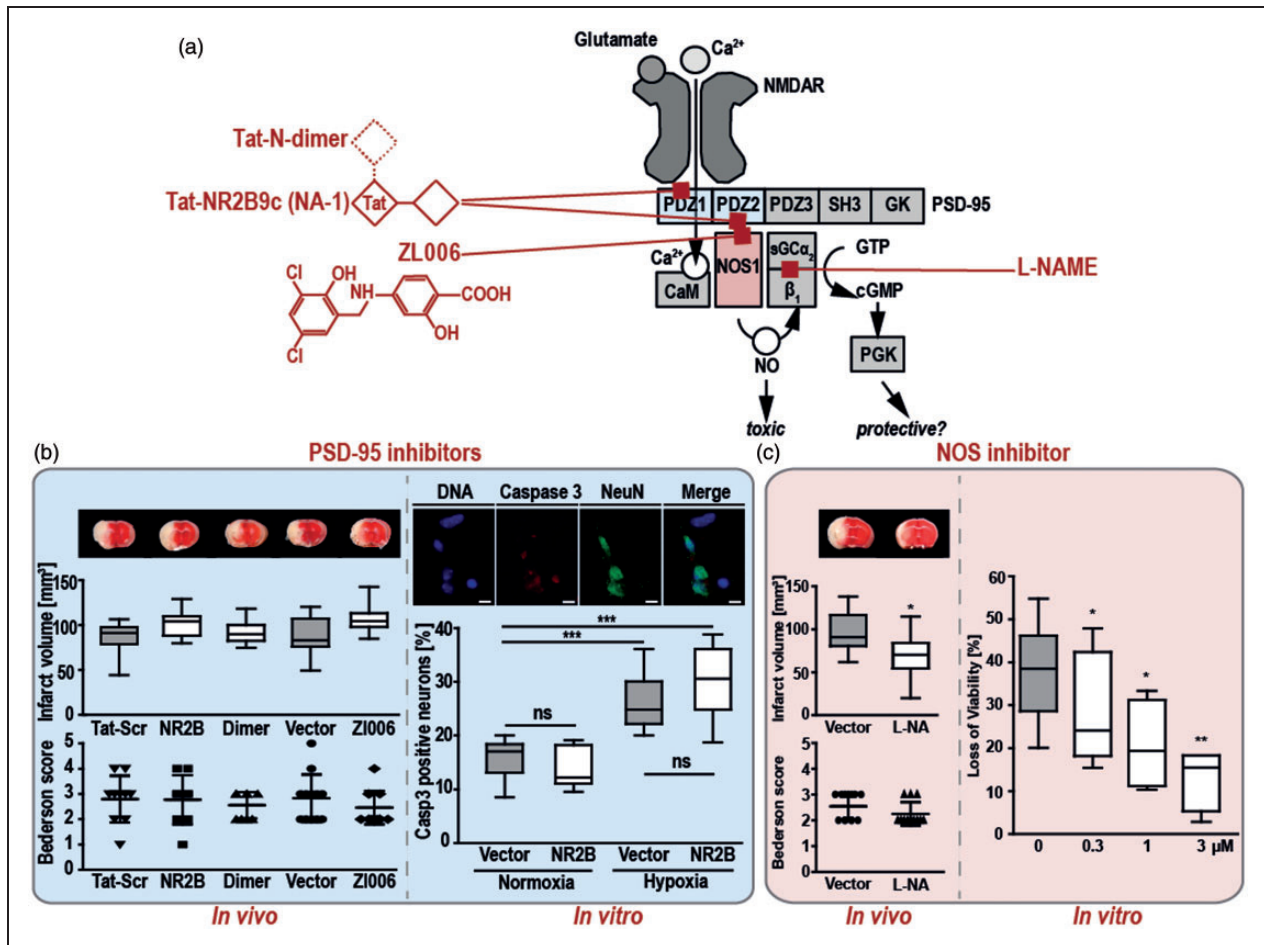


Figure 1. *In vivo* and *in vitro* PSD-95 inhibition fails to be neuroprotective upon ischemic damage, whilst NOS1 deletion or inhibition is neuroprotective. (a) Schematic structure of the NMDAR-PSD-95-NOS1 complex, with the binding sites of the three PSD-95i: NR2B, Dimer, and Z1006. Upon binding of glutamate, calcium enters through the transmembrane NMDAR and binds to CaM, which in turn activates NOS1. Its product, NO in low amounts activates sGC to form cGMP and activates neuroprotective mechanisms via PKG.¹³ All three, the NMDAR, NOS1, and sGC can co-localize at PDZ domains of PSD-95. Overproduction of NO can lead to neurotoxicity, possibly by interacting with additional reactive oxygen species formed during stroke.³ PSD-95i can thus potentially have neuroprotective (by inhibiting NOS1) or neurotoxic (by preventing neuroprotective cGMP formation) effects, or a mixture of both. (b) *In vivo* effects of PSD-95i, 3 nmol/g NR2B or Dimer, 1.5 mg/kg Z1006, a control peptide (Tat-Scr) or potassium chloride (vehicle), applied 60 min after tMCAO in C57BL/6 mice (left blue box). No protective effect on stroke volume, analyzed by TTC staining of brain slices (see representative pictures above the box plot of infarct volume showing the 5–95 percentile), or functional recovery (scatter dot plot with mean and SD) was observed 24 h after treatment ($n_{\text{Tat-Scr}} = 10$, $n_{\text{NR2B}} = 9$, $n_{\text{Dimer}} = 9$, $n_{\text{Vector}} = 12$, $n_{\text{Z1006}} = 12$; Kruskal-Wallis test (p value = 0.0296 for infarct volume and $p = 0.6781$ for the Bederson test) with Dunn's multiple comparison test, no group vs. the other was $p < 0.05$). *In vitro* effects of the PSD-95i, NR2B, on hippocampal neuronal cultures after OGD (right blue box). Following OGD, significantly higher numbers of apoptotic neurons were counted when both control groups were compared ($***p < 0.0001$; 95% CI -17.27 to -4.26). NR2B had no effect, neither under normoxic nor hypoxic conditions ($***p < 0.0001$; 95% CI -22.22 to -9.88) (Box plots with whiskers represent 5–95 percentile of the percentage of caspase 3 positive, i.e. apoptotic neurons, under normoxic or OGD conditions). (c) *In vivo*, the NOS inhibitor L-NAME (L-NA; 1.5 mg/kg; $n = 12$) significantly lowered the infarct volumes 24 h after 1 h of tMCAO when compared with the control animals (left red box; $n = 13$; Unpaired t -test; $*p = 0.0148$; CI 5.55 to 46.22). With the Bederson test both animal groups were not significantly different (scatter dot plot showing mean and SD; Mann Whitney test, $p = 0.1767$). *In vitro*, in rat brain slices challenged with 15 min OGD and 120 minutes reoxygenation, L-NAME (0.3, 1 and 3 μM), lowered the loss of viability in a concentration-dependent manner when compared with control brain slices (right red box). Data were normalized to control slices without OGD and reoxygenation, and are presented as box plots with 5–95 percentile of $n = 8$ independent experiments ($*p < 0.05$, $**p < 0.01$).

CaM: calmodulin, cGMP: cyclic guanosine monophosphate, Dimer: Tat-N-dimer; L-NAME: N^ω-Nitro-L-arginine methyl ester hydrochloride; NMDAR: N-methyl-D aspartate receptor; NO: nitric oxide; NOS1: nitric oxidase synthase I, NR2B: Tat-NR2B9c; OGD: oxygen and glucose deprivation; PKG: cGMP-dependent protein kinase G; PSD-95: post-synaptic density protein-95; PSD-95i: PSD-95 inhibitors; sGC: soluble guanylate cyclase; tMCAO: transient middle cerebral artery occlusion; TTC: 2,3,5-triphenyltetrazolium chloride.

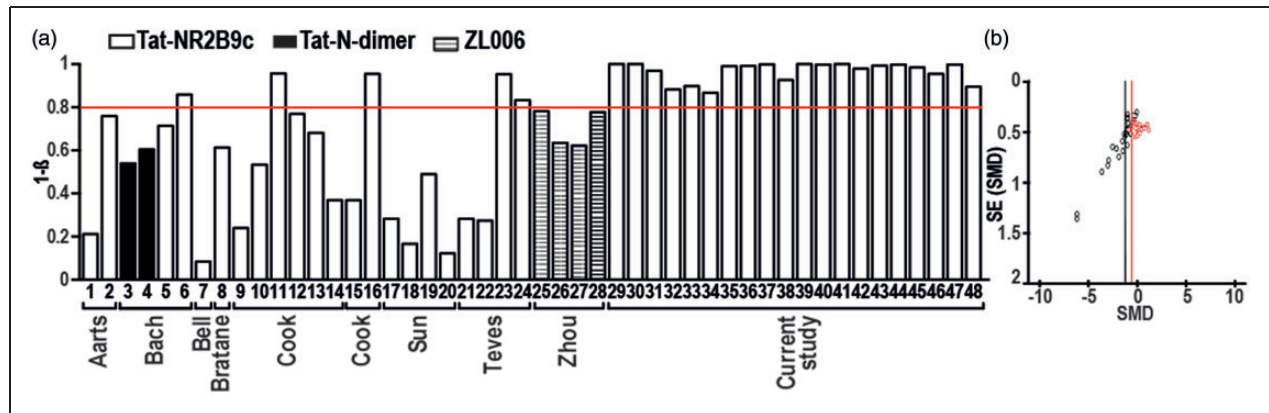


Figure 2. Power analysis and publication bias of previous and our PSD-95i studies. (a) The bar graphs show the level of power from each study and subgroup as numbered in the first column of Supplementary Table S1. The red line indicates the acceptable statistical Power of 0.8, which is reached by only 7 of 28 published data sets and by all data sets of the present study. (b) For previous studies (black symbols) with PSD-95i in experimental stroke, a funnel plot was constructed (Y-axis representing precision; X-axis, effect size of individual studies). Based on the fact that precision in estimating the underlying treatment effect will increase as the sample size of component studies increases, the observed asymmetry suggests a publication bias. Studies showing larger infarcts in PSD-95i treated animals are missing and the mean effect size (SMD -1.19 ; black line) might be an overestimation of the true effect. When adding our own current data (red symbols), the overall effect shifted towards a smaller overall effect of PSD-95 inhibition (SMD -0.68 ; red line) and the asymmetry remained, indicating that still studies or data sets are missing. PSD-95i: PSD-95 inhibitors.

could prevent cell death after OGD with reoxygenation in rat hippocampal brain slices (Figure 1(c)).

Because of the discrepancy between our results and the published protective effects of the PSD-95i, we performed a post-hoc analysis of previous animal studies on PSD-95 and stroke. It became apparent that most of the previous studies on PSD-95i lacked sufficient statistical power (Figure 2(a), Supplementary Table 2) to detect a clinically relevant 40% reduction in infarct size. Moreover, further analyses suggested a publication bias towards positive findings leaving negative data unpublished (Figure 2(b)), which is reminiscent of our recent study on a reactive oxygen generating enzyme and suggested stroke target.²

Summary/conclusions

At least two possible conclusions can be drawn from our data, both of which are equally alarming: either our negative pre-clinical rodent validation of PSD-95i in stroke is correct and predictive, then clinical development of PSD-95i should be reconsidered; or the non-human primate and early clinical data are correct and relevant, then rodent animal models can no longer be viewed as predictive for human stroke and pre-clinical research needs to fundamentally change (a conclusion that would be reminiscent of recent discussions whether inflammatory rodent models have any predictive value for human immune conditions). Both conclusions have wide implications for preclinical research in general, i.e. well beyond stroke and the clinical development

of PSD-95i, and thus need an urgent cross validation and broad discussion.

Funding

The author(s) disclosed receipt of the following financial support for the research, authorship, and/or publication of this article: This study has been supported by funds from the European Research Council Advanced Investigator Grant 294682 RADMED (HHHWS) and the Deutsche Forschungsgemeinschaft (CK).

Acknowledgements

The authors thank Andrea Sauer, Melanie Glaser, Barbara Reuter, Sabrina Braunschweig and Daniela Urlaub for their expert technical assistance.

Declaration of conflicting interests

The author(s) declared the following potential conflicts of interest with respect to the research, authorship, and/or publication of this article: HHHWS is co-founder of a biotech company, Vasopharm GmbH, Germany, engaged in the development of small molecule NOS inhibitors, currently in stage II/III clinical development. However, HHHWS has no operative or decision making role in the company and holds less than 1% of shares.

Authors' contributions

CK analyzed the stroke experiments and wrote the manuscript; SM performed all animal surgeries, drug treatments and evaluations of the outcomes in a blinded manner; PWMK performed power analysis and funnel plot;

MKS performed and analyzed all OGD neuronal cell culture experiments; MGL planned and analyzed the rat hippocampal slice experiments; AIC performed all experiments with rat hippocampal slices; BS revised the manuscript for the statistical guidelines, AR wrote and revised the manuscript; HHHWS planned experiments and wrote the manuscript;

Supplementary material

Supplementary material for this paper can be found at <http://jcbfm.sagepub.com/content/by/supplemental-data>

References

1. O'Collins VE, Macleod MR, Donnan GA, et al. 1,026 Experimental treatments in acute stroke. *Ann Neurol* 2006; 59: 467–477.
2. Kleikers PW, Hooijmans C, Göb E, et al. A combined pre-clinical meta-analysis and randomized confirmatory trial approach to improve data validity for therapeutic target validation. *Sci Report* 2015; 5: 13428.
3. Kleinschnitz C, Grund H, Wingle K, et al. Post-stroke inhibition of induced NADPH oxidase type 4 prevents oxidative stress and neurodegeneration. *PLoS Biol* 2010; 8: e1000479.
4. Huang Z, Huang PL, Panahian N, et al. Effects of cerebral ischemia in mice deficient in neuronal nitric oxide synthase. *Science* 1994; 265: 1883–1885.
5. Sattler R, Xiong Z, Lu WY, et al. Specific coupling of NMDA receptor activation to nitric oxide neurotoxicity by PSD-95 protein. *Science* 1999; 284: 1845–1848.
6. Aarts M, Liu Y, Liu L, et al. Treatment of ischemic brain damage by perturbing NMDA receptor-PSD-95 protein interactions. *Science* 2002; 298: 846–850.
7. Bach A, Clausen BH, Møller M, et al. A high-affinity, dimeric inhibitor of PSD-95 bivalently interacts with PDZ1-2 and protects against ischemic brain damage. *Proc Natl Acad Sci U S A* 2012; 109: 3317–3322.
8. Cook DJ, Teves L and Tymianski M. A translational paradigm for the preclinical evaluation of the stroke neuroprotectant Tat-NR2B9c in gyrencephalic nonhuman primates. *Sci Transl Med* 2012; 4: 154ra33.
9. Hajdu MA and Baumbach GL. Mechanics of large and small cerebral arteries in chronic hypertension. *Am J Physiol* 1994; 266: H1027–H1033.
10. Cook DJ, Teves L and Tymianski M. Treatment of stroke with a PSD-95 inhibitor in the gyrencephalic primate brain. *Nature* 2012; 483: 213–217.
11. Zhou L, Li F, Xu HB, et al. Treatment of cerebral ischemia by disrupting ischemia-induced interaction of nNOS with PSD-95. *Nat Med* 2010; 16: 1439–1443.
12. Teves L, Cui H and Tymianski M. Efficacy of the PSD95 inhibitor Tat-NR2B9c in mice requires dose translation between species. *J Cereb Blood Flow Metab* 2015; 19: 1–17.
13. Ding JD, Burette A, Nedvetsky PI, et al. Distribution of soluble guanylyl cyclase in the rat brain. *J Comparat Neurol* 2004; 472: 437–448.
14. Hill MD, Martin RH, Mikulis D, et al. Safety and efficacy of NA-1 in patients with iatrogenic stroke after endovascular aneurysm repair (ENACT): a phase 2, randomised, double-blind, placebo-controlled trial. *Lancet Neurol* 2012; 11: 942–950.
15. Russwurm M, Wittau N and Koesling D. Guanylyl cyclase/PSD-95 interaction: targeting of the nitric oxide-sensitive alpha2beta1 guanylyl cyclase to synaptic membranes. *J Biol Chem* 2001; 276: 44647–44652.